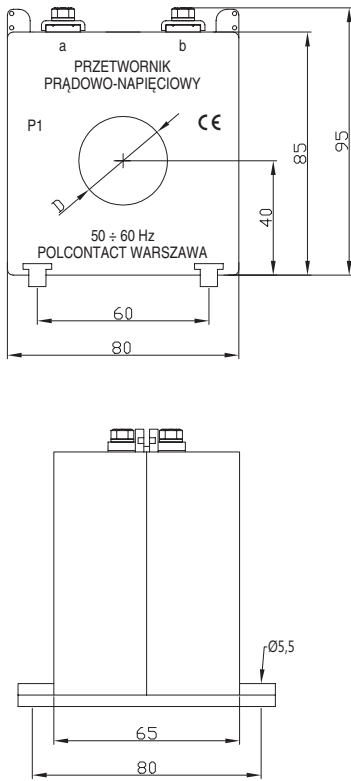
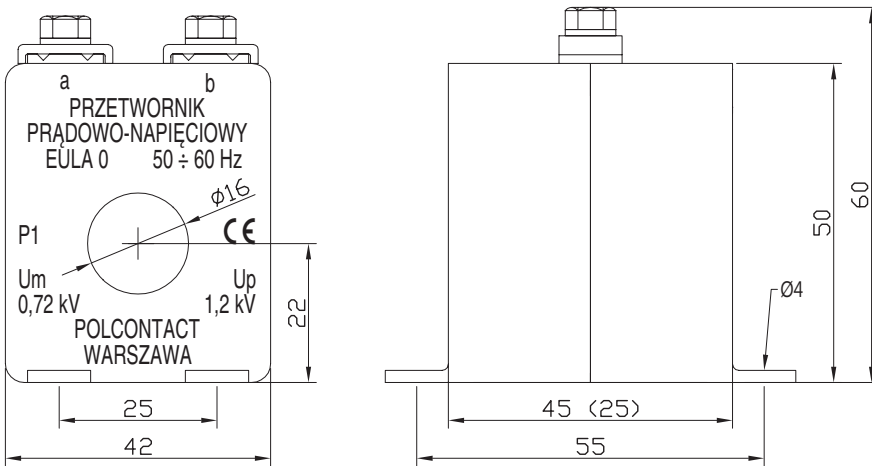


Cable type



EULA 1

Type	Model/ Dimensions	Primary current	Rated parameters of secondary circuit		
			voltage	burden ≥	class
EULA 1	D 22	75 A	1 V	5000 Ω	0.5
			2 V	10 000 Ω	
			5 V	25 000 Ω	1
		10 V	50 000 Ω		
		15 V	75 000 Ω		
		EULA 1	D 31	100 ÷ 400 A	1 V
2 V	10 000 Ω				
5 V	25 000 Ω				1
10 V	50 000 Ω				
15 V	75 000 Ω				
EULA 1	D 31			50 A 75 A	1 V
		2 V	10 000 Ω		
		5 V	25 000 Ω		0.5
		10 V	50 000 Ω		
		15 V	75 000 Ω		
		EULA 1	D 31	100 A 125 A	1 V
2 V	10 000 Ω				
5 V	25 000 Ω				1
10 V	50 000 Ω				
15 V	75 000 Ω				
EULA 1	D 31			150 ÷ 600 A	1 V
		2 V	10 000 Ω		
		5 V	25 000 Ω		1
		10 V	50 000 Ω		
		15 V	75 000 Ω		



EULA 0 D 16

Current-voltage transducer cable type.

Type	Model/ Dimensions	Primary current	Rated parameters of secondary circuit		
			voltage	burden ≥	class
EULA 0	D 16	50 ÷ 150 A	1 V	5000 Ω	0,5
			2 V	10 000 Ω	
			5 V	25 000 Ω	
			10 V	50 000 Ω	
			15 V	75 000 Ω	

Example of order:
Current-voltage transducer
EULA 1 D 31; 100 A; 5 V;
25 kΩ; kl. 0,5

Bus TS 35 available on request.