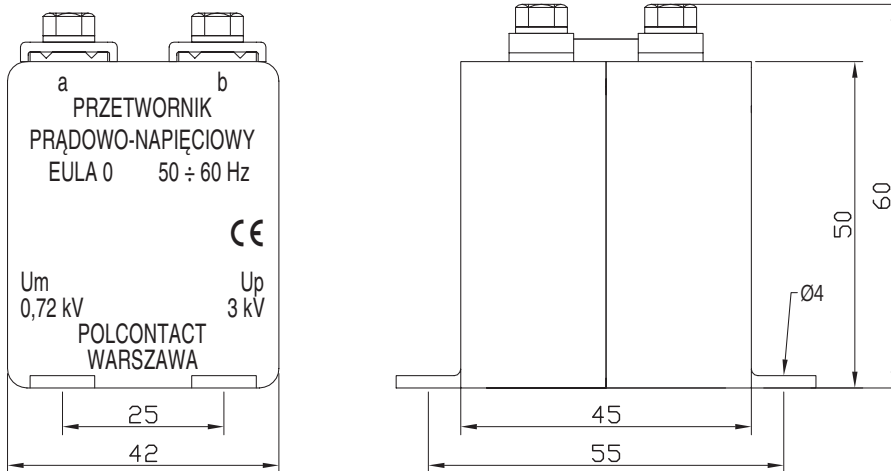
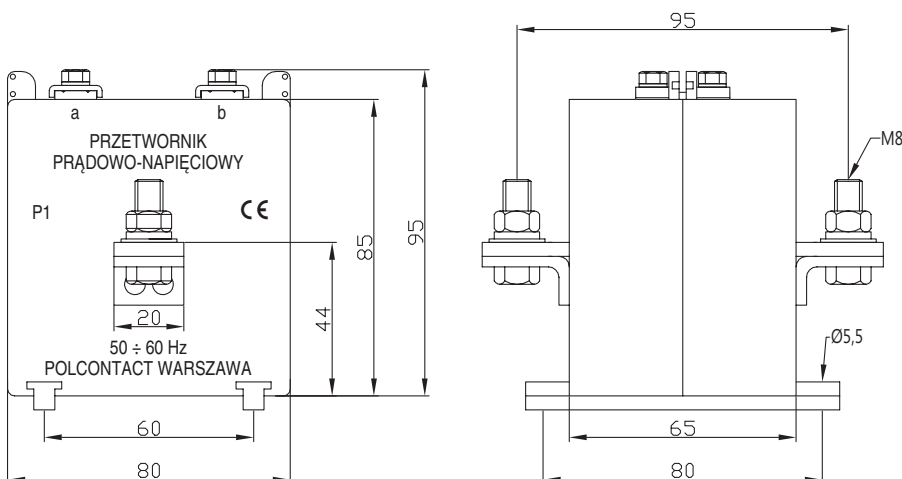


With primary winding



EULA 0

Type	Model/ Dimensions	Primary current	Rated parameters of secondary circuit		
			voltage	burden \geq	class
EULA 0	-	1 ÷ 20 A	1 V	5000 Ω	0.5
			2 V	10 000 Ω	
			5 V	25 000 Ω	
			10 V	50 000 Ω	
			15 V	75 000 Ω	



EULA 1 W20

Current-voltage transducers with primary winding

Bus TS 35 available on request.

Example of order:
Current-voltage transducer
EULA 1 W20; 50 A; 5 V;
25 k Ω ; class 0.5

Type	Model/ Dimensions	Primary current	Rated parameters of secondary circuit		
			voltage	burden \geq	class
EULA 1	W20	5 ÷ 300 A	1 V	5000 Ω	0.5
			2 V	10 000 Ω	
			5 V	25 000 Ω	
			10 V	50 000 Ω	
			15 V	75 000 Ω	