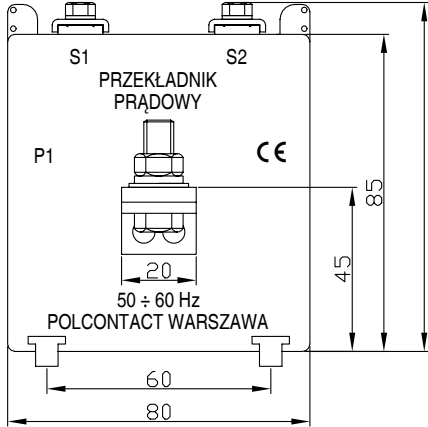
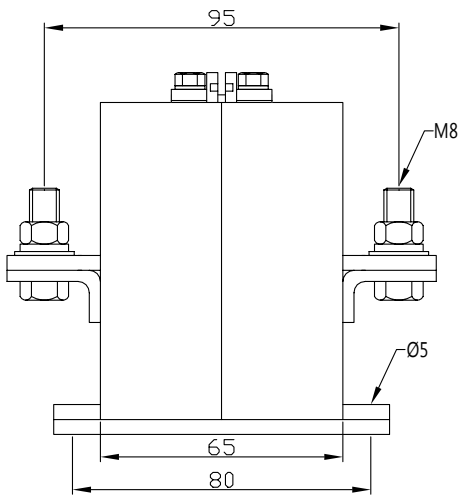


With primary winding

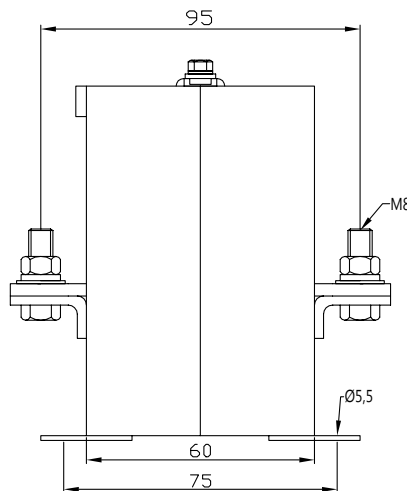
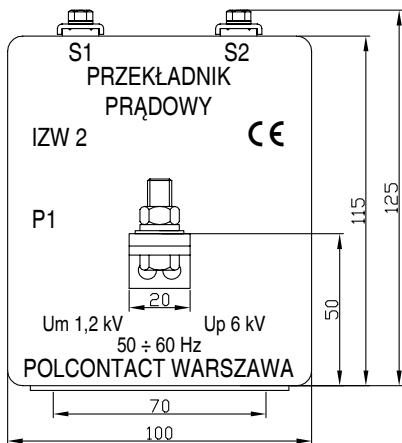
Current transformer with primary winding type IZW 1 ($U_m = 0,72 \text{ kV}$, $U_p = 3 \text{ kV}$) and IZW 2 ($U_m = 1,2 \text{ kV}$, $U_p = 6 \text{ kV}$) for cooperation with MiCOM relays type P210 and P211.



IZW 1



IZW 1; IZW 2		
The max. distance between current transformer and relay, depending on wire section according to table		
	Wire section: 2,5 mm ²	Wire section: 2,5 mm ²
I_{pn} A	2 m	10 m
5	IZW 1	IZW 2
10		
15		
20		
30		
50		
75		
100		
150		
200		
250		
300		



IZW 2

Example of order:
Current transformer
IZW 1; 200/5 A