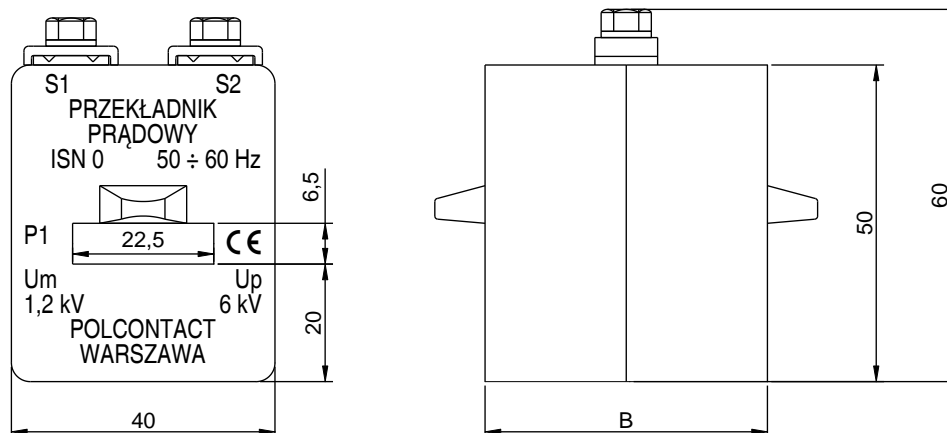


ISN 0

Current transformer bus-bar type ISN 0. Max bus-bar size 20×6 mm.

Max voltage $U_m = 1.2$ kV. Test voltage $U_p = 6$ kV.



ISN 0				
h 020				
I_{pn}	cl. 0.5	cl. 1	cl. 3	B
A	VA			mm
30			0.5	45
			1	45
50			0.5	25
			1	45
			1.5	45
75			1	25
		1	1.5	45
		1.5	2.5	45
100			1.5	25
	1	1.5	2.5	45
		2.5	5	45
150		1	2	25
	1.5	2.5	3.75	45
	2	3.75	5	45
200		1.5	2.5	25
	1.5	2.5	5	45
	2.5	5	7.5	45
250	1.5	2.5	5	45
	2.5	5	7.5	45
	3.75	7.5	10	45
300	1.5	2.5	5	45
	2.5	5	7.5	45
	5	7.5	10	45



Rated secondary current $I_{sn} = 5$ or 1 A. Security factor for apparatus FS5.

Other parameters available on request after consultation with our Technical Department.

Example of order: ISN 0 h 020; 250/5 A; 2.5 VA; cl. 0.5