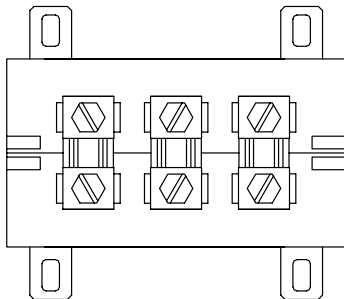
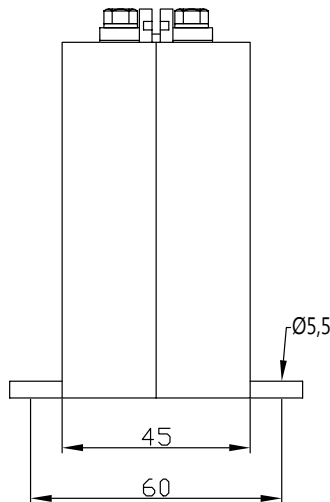
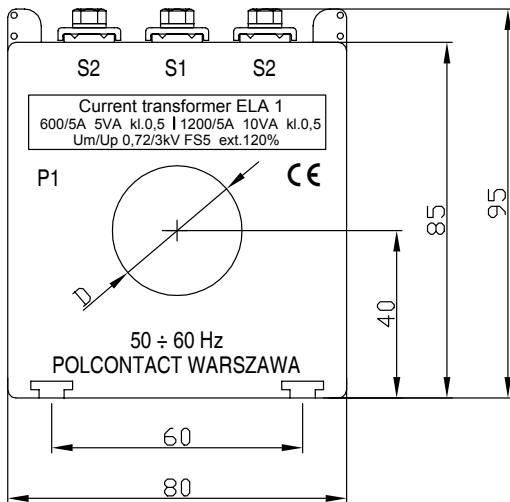


ELA 1 for two ranges of primary current

Low voltage current transformer type ELA 1.

For two ranges of primary current. Inside diameters $\varnothing 22$, $\varnothing 31$ or $\varnothing 41$ mm.

Max voltage $U_m = 1.2$ kV. Test voltage $U_p = 6$ kV



Rated secondary current $I_{sn} = 5$ A or 1 A.
Other parameters available on request after consultation with our Technical Department

Example of order:
Current transformer
ELA 1 D 41; 300-600 A;
7,5-15 VA; class 0,5.
Bus TS 35 available on request

		ELA 1								
		D 22			D 31			D 41		
I_{pn}		cl. 0,5	cl. 1	cl. 3	cl. 0,5	cl. 1	cl. 3	cl. 0,5	cl. 1	cl. 3
A	VA	VA			VA			VA		
50			1,5	5		1	2,5			2
100			5	10		2,5	7,5			5
75			2,5	7,5		2	5			2,5
150			7,5	15		7,5	10			7,5
100	2		5	10		2,5	7,5		2	5
200	7,5		10	20		10	15		5	10
125	2		5	10		2,5	10		2,5	5
250	7,5		15	20		10	15		7,5	10
150	5		10	15	2,5	7,5	10		5	7,5
300	10		20	30	10	15	20		10	15
200	5		10	15	5	10	20	2,5	7,5	10
400	10		20	30	10	20	30	10	15	20
250					5	10	20	2,5	7,5	10
500					15	20	30	10	15	20
300					10	15	20	7,5	10	15
600					15	20	30	15	20	30
400								10	15	20
800								15	20	30