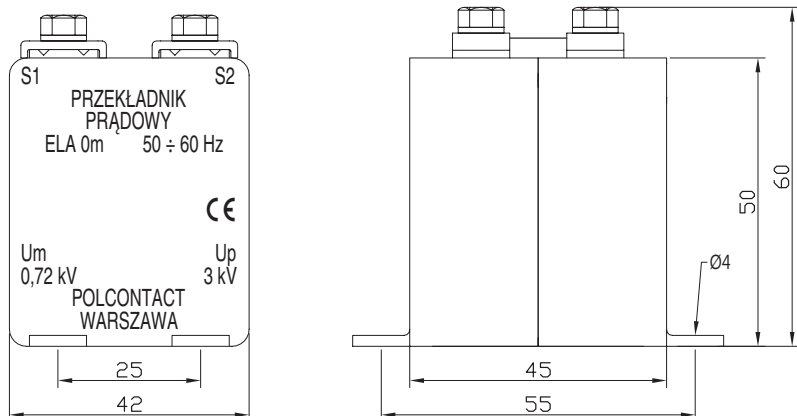


With primary winding

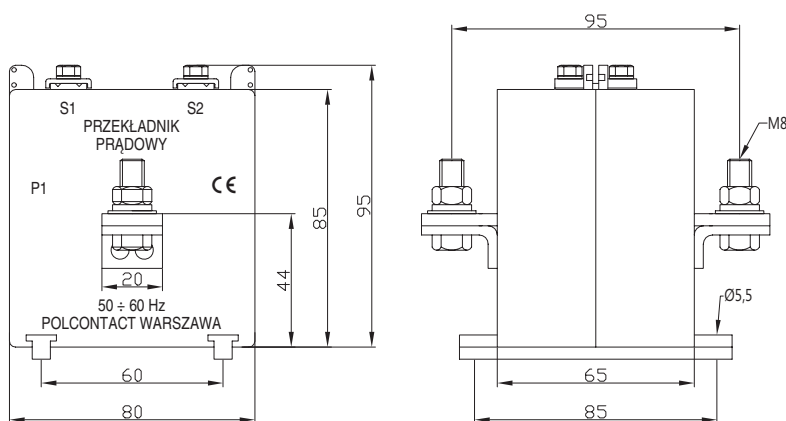
Current transformers with secondary current $I_{sn} = 20 \text{ mA}$ with primary winding



Type	Model/ Dimensions	Primary current	Rated parameters secondary circuit	
			burden	class
ELA 0m	-	1 ÷ 20 A	50 Ω	0,5
			100 Ω	
			250 Ω	
			500 Ω	
			750 Ω	

ELA 0m

ELA 1m W20



Type	Model/ Dimensions	Primary current	Rated parameters secondary circuit	
			burden	class
ELA 1m	W20	5 ÷ 300 A	50 Ω	0,5
			100 Ω	
			250 Ω	
			500 Ω	
			750 Ω	

Example of order:
Current transformer
ELA 1m W20; 300 A; 500 Ω
Bus TS 35 available
on request.