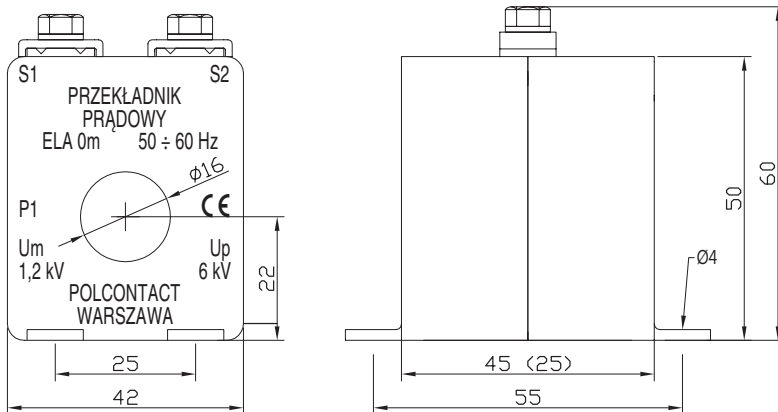


Cable type

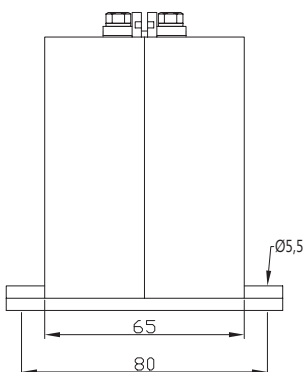
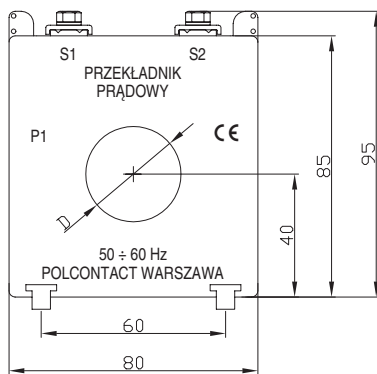


Current transformers with secondary current $I_{sn} = 20 \text{ mA}$ cable type

ELA 0m D 16

Type	Model/ Dimension	Primary current	Rated parameters secondary circuit	
			burden	class
ELA 0m	D 16	50 ÷ 150 A	50 Ω	0,5
			100 Ω	
			250 Ω	
			500 Ω	
			750 Ω	

Example of order:
Current transformers
ELA 0m D 16; 100 A; 250 Ω
Bus TS 35 available on request.



ELA 1m

Type	Model/ Dimension	Primary current	Rated parameters secondary circuit	
			burden	class
ELA 1m	D 22	75 A	50 Ω	0,5
			100 Ω	
			250 Ω	
		100 ÷ 400 A	500 Ω	1
			750 Ω	
ELA 1m	D 31	50 ÷ 75 A	50 Ω	1
			100 Ω	
			250 Ω	
		100 ÷ 125 A	500 Ω	3
			750 Ω	
	150 ÷ 600 A	50 Ω	0,5	
		100 Ω		
		250 Ω		
		500 Ω	1	
	750 Ω			