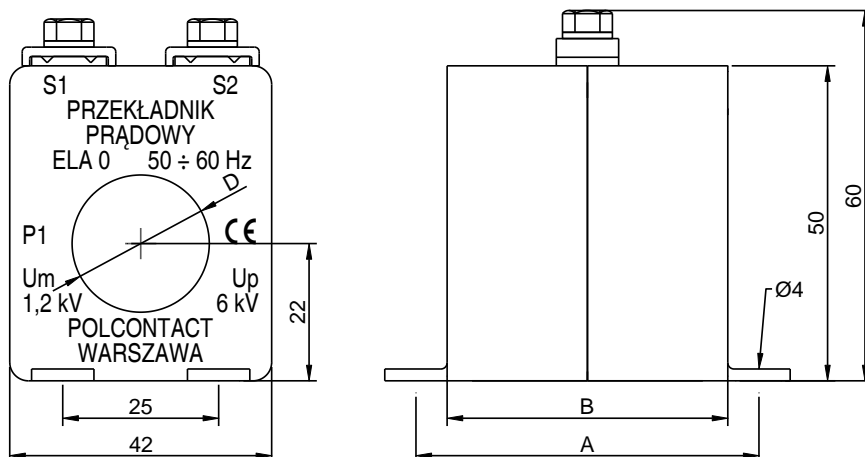


# ELA 0

Low voltage current transformer type ELA 0. Inside diameters  $\varnothing 16$  mm or  $\varnothing 22$  mm.  
Max voltage  $U_m = 1.2$  kV. Test voltage  $U_p = 6$  kV.



A = 35 mm; B = 25 mm  
A = 55 mm; B = 45 mm



ELA 0							
D 16			D 22				
$I_{pn}$	cl. 0.5	cl. 1	cl. 3	cl. 0.5	cl. 1	cl. 3	B
A	VA			VA			mm
20			0.5				45
							45
30			0.5				45
			1				45
50			0.5			0.5	45
			1			1	45
75			2.5				45
		1	1			0.5	25
100			1.5			1	45
		1.5	2.5		1	1.5	45
150		1	1.5			1	25
	0.5	1.5	2.5	0.5	1	1.5	45
200	1	2			1.5	2	45
		1	2		0.5	1	25
250	1.5	2.5	5	1	1.5	2.5	45
	2.5	5	7.5		2.5	3.75	45
300		1.5	2.5		0.5	1.5	25
	1.5	2.5	5	1	1.5	2.5	45
350	2.5	5	7.5	2	2.5	5	45
		1.5	2	2.5		1	2
400	2.5	5	5	1	2.5	2.5	45
	5	7.5	10	2.5	5	5	45
450	1.5	2.5	5		1	1.5	25
	2.5	5	7.5	1.5	2.5	2.5	45
500	5	7.5	10	2.5	5	5	45

Rated secondary current  $I_{sn} = 5$  or  $1$  A. Security factor for apparatus FS5.

Other parameters available on request after consultation with our Technical Department.

Example of order: ELA 0 D 22; 200/5 A; 2 VA; cl. 0.5