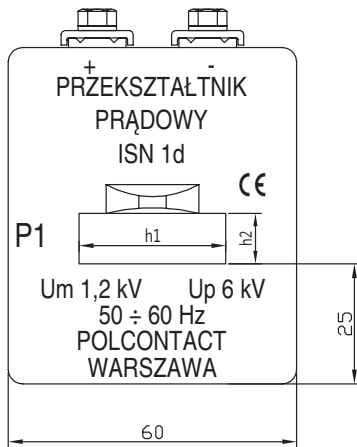
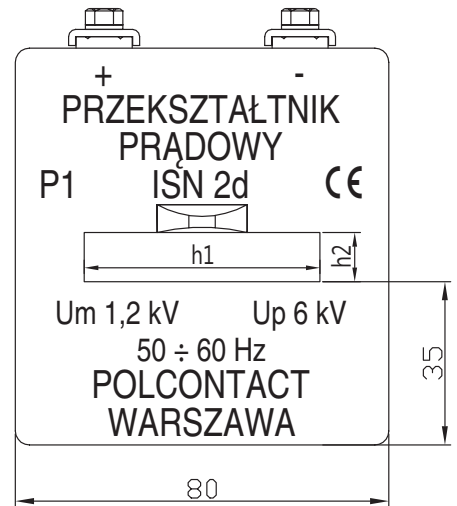
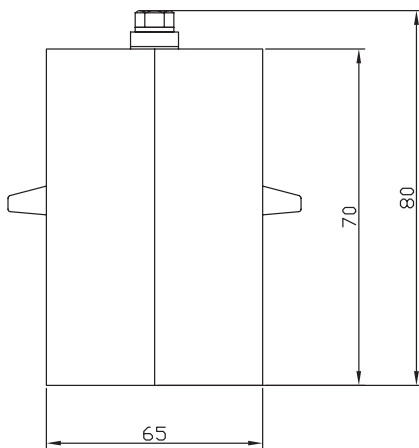


Bus-bar type



Type	Model/ Dimensions	Primary current	Rated parameters of secondary circuit	
			burden	accuracy
ISN 1d	h 021 $h_1 = 20.5 \text{ mm}$ $h_2 = 10.5 \text{ mm}$	50 ÷ 500 A	50 Ω	± 3%
			100 Ω	
			250 Ω	
			500 Ω	
			750 Ω	
ISN 1d	h 031 $h_1 = 30.5 \text{ mm}$ $h_2 = 10.5 \text{ mm}$	50 ÷ 800 A	50 Ω	± 3%
			100 Ω	
			250 Ω	
			500 Ω	
			750 Ω	

ISN 1d



ISN 2d

Type	Model/ Dimensions	Primary current	Rated parameters of secondary circuit	
			burden	accuracy
ISN 2d	h 041 $h_1 = 40.5 \text{ mm}$ $h_2 = 10.5 \text{ mm}$	100 ÷ 1200 A	50 Ω	± 3%
			100 Ω	
			250 Ω	
			500 Ω	
			750 Ω	
ISN 2d	h 051 $h_1 = 50.5 \text{ mm}$ $h_2 = 10.5 \text{ mm}$	100 ÷ 1000 A	50 Ω	± 3%
			100 Ω	
			250 Ω	
			500 Ω	
			750 Ω	
ISN 2d	h 061 $h_1 = 60.5 \text{ mm}$ $h_2 = 10.5 \text{ mm}$	100 ÷ 1250 A	50 Ω	± 3%
			100 Ω	
			250 Ω	
			500 Ω	
			750 Ω	

