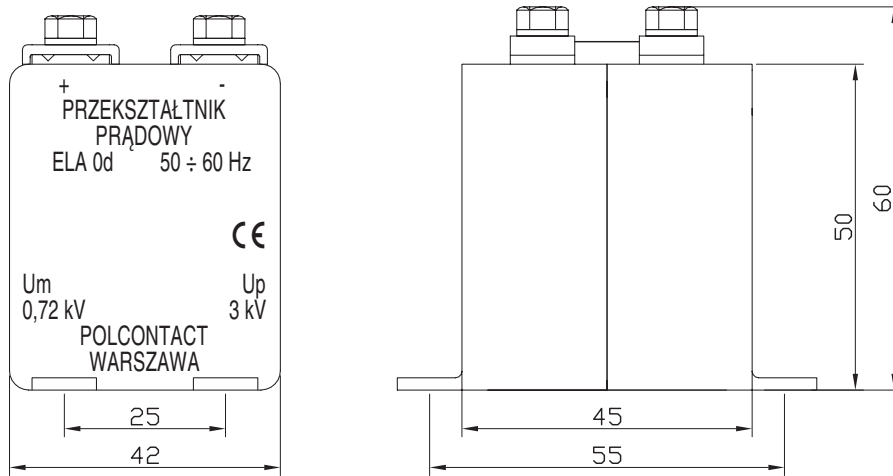
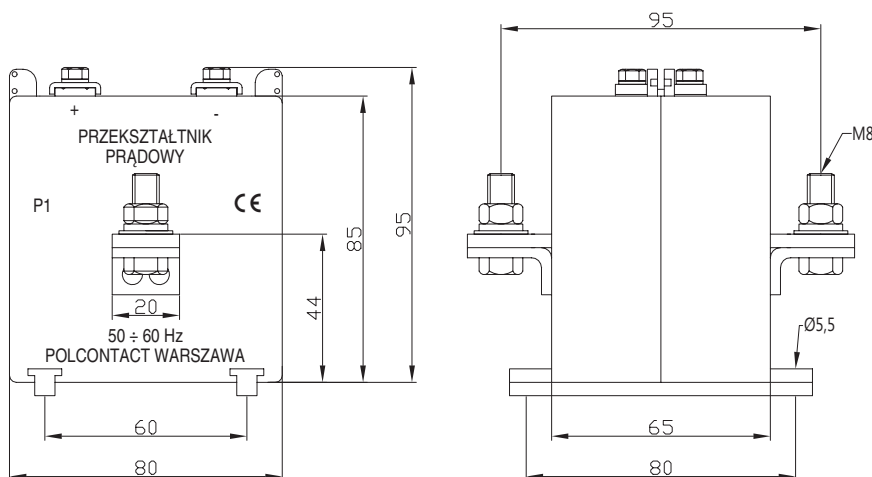


With primary winding



ELA 0d

Type	Model/ Dimensions	Primary current	Rated parameters of secondary circuit	
			burden	accuracy
ELA 0d	-	1 ÷ 20 A	50 Ω	± 3%
			100 Ω	
			250 Ω	
			500 Ω	
			750 Ω	



ELA 1d W20

Type	Model/ Dimensions	Primary current	Rated parameters of secondary circuit	
			burden	accuracy
ELA 1d	W20	5 ÷ 300 A	50 Ω	± 3%
			100 Ω	
			250 Ω	
			500 Ω	
			750 Ω	

Current converters with primary winding.

Example of order:
Current converter
ELA 1d W20; 100 A; 250 Ω

Bus TS 35 available on request.