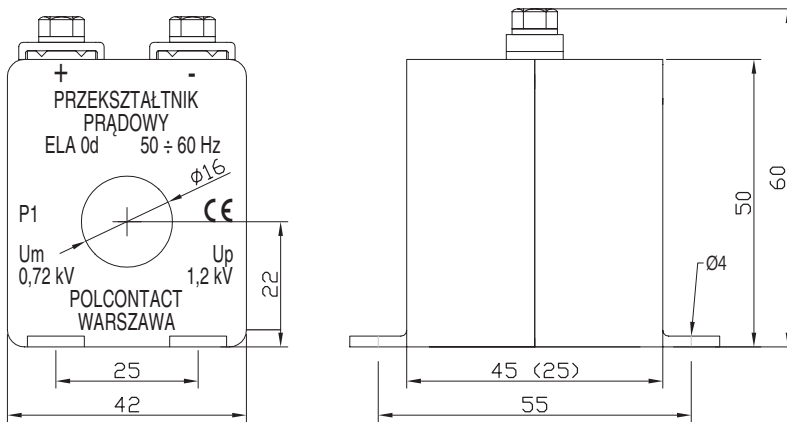
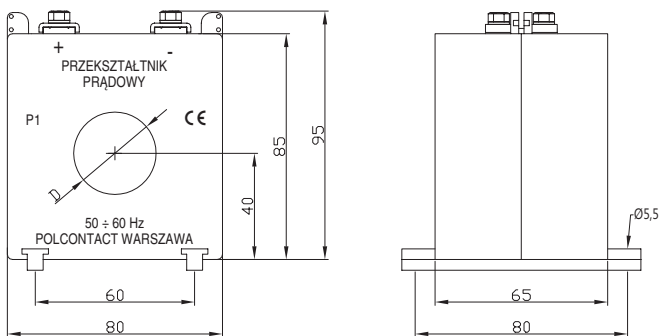


## Cable type



## ELA 0d D 16

Type	Model/ Dimensions	Primary current	Rated parameters of secondary circuit	
			burden	accuracy
<b>ELA 0d</b>	<b>D 16</b>	50 ÷ 150 A	50 Ω	± 3%
			100 Ω	
			250 Ω	
			500 Ω	
			750 Ω	



## ELA 1d

Type	Model/ Dimensions	Primary current	Rated parameters of secondary circuit	
			burden	accuracy
<b>ELA 1d</b>	<b>D 22</b>	75 ÷ 400 A	50 Ω	± 3%
			100 Ω	
			250 Ω	
			500 Ω	
			750 Ω	
<b>ELA 1d</b>	<b>D 31</b>	50 ÷ 600 A	50 Ω	± 3%
			100 Ω	
			250 Ω	
			500 Ω	
			750 Ω	

Current converters  
cable type.

Example of order:  
Current converter  
ELA 1d D 31; 400 A; 500 Ω

Bus TS 35 available on  
request.