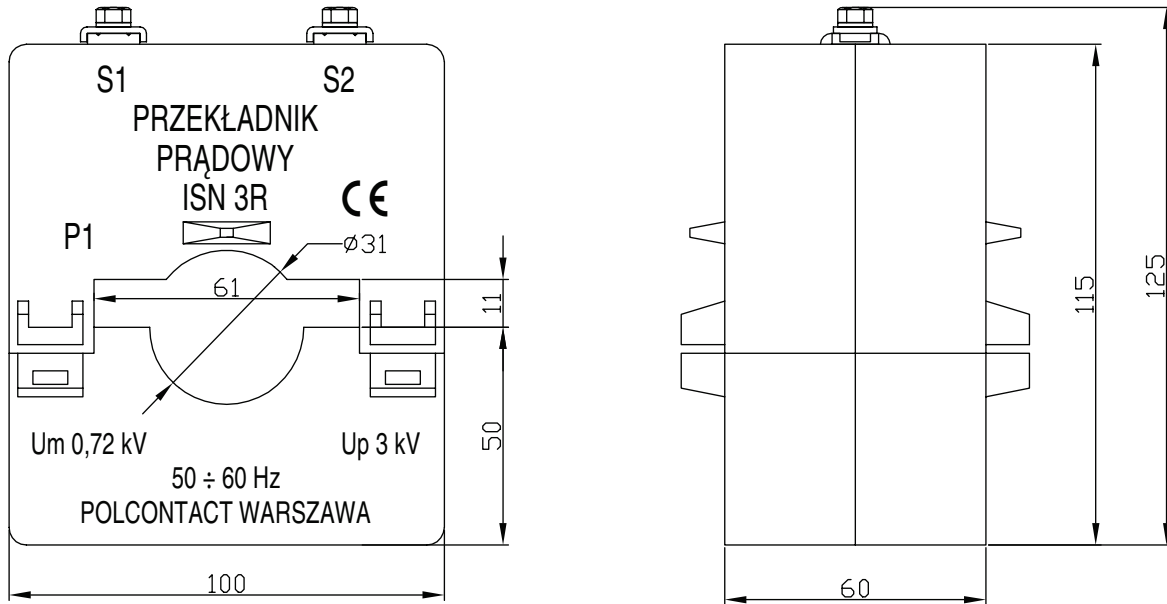


# ISN 3R



Rated primary current	Rated power	Accuracy class	Rated secondary current	Max. dimension bus/cable
A	VA	-	A	mm
100	1 ÷ 7,5	3	5 or 1	60 × 10 or Ø30
150	1 ÷ 2	1 3		
	2,5 ÷ 7,5	3		
200	2,5 ÷ 5	1 3		
	7,5	3		
250	1 ÷ 2,5	0,5 1 3		
	3,75 ÷ 7,5	1 3		
300	10	3		
	1 ÷ 5	0,5 1 3		
	7,5	1 3		
400	10	3		
	1 ÷ 5	0,5 1 3		
	7,5	1 3		
500	10	3		
	1 ÷ 5	0,5 1 3		
	7,5 ÷ 10	1 3		
600	15	3		
	1 ÷ 5	0,5 1 3		
	7,5 ÷ 15	1 3		
750	20	3		
	1 ÷ 15	0,5 1 3		
	20	1 3		
800	25	3		
	1 ÷ 15	0,5 1 3		
	20 ÷ 25	1 3		



Example of order:  
Current transformer  
ISN 3R 200/5 A; 5 VA; class 1