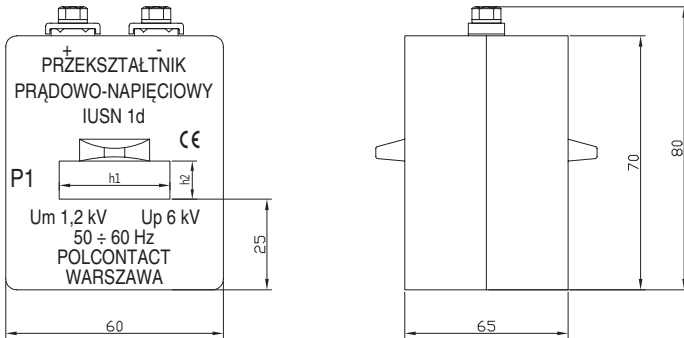


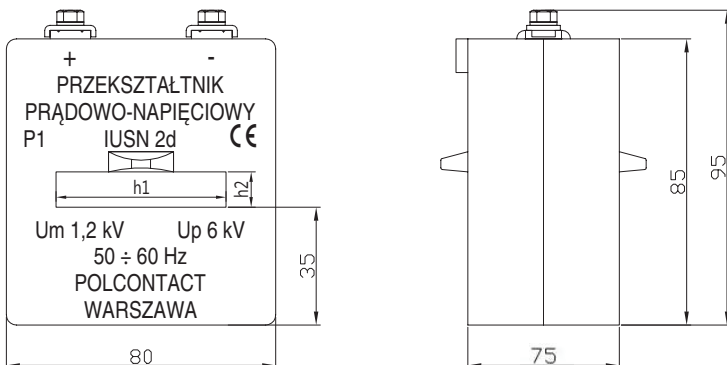
Bus-bar type

IUSN 1d



Type	Model/ Dimensions	Primary current	Rated parameters of secondary circuit		
			voltage	burden \geq	accuracy
IUSN 1d	h 021 h ₁ = 20.5 mm h ₂ = 10.5 mm	50 ÷ 500 A	1 V	5000 Ω	$\pm 3\%$
			2 V	10 000 Ω	
			5 V	25 000 Ω	
			10 V	50 000 Ω	
			15 V	75 000 Ω	
IUSN 1d	h 031 h ₁ = 30.5 mm h ₂ = 10.5 mm	50 ÷ 800 A	1 V	5000 Ω	$\pm 3\%$
			2 V	10 000 Ω	
			5 V	25 000 Ω	
			10 V	50 000 Ω	
			15 V	75 000 Ω	

IUSN 2d



Type	Model/ Dimensions	Primary current	Rated parameters of secondary circuit		
			voltage	burden \geq	accuracy
IUSN 2d	h 041 h ₁ = 40.5 mm h ₂ = 10.5 mm	100 ÷ 1200 A	1 V	5000 Ω	$\pm 3\%$
			2 V	10 000 Ω	
			5 V	25 000 Ω	
			10 V	50 000 Ω	
			15 V	75 000 Ω	
IUSN 2d	h 051 h ₁ = 50.5 mm h ₂ = 10.5 mm	100 ÷ 1000 A	1 V	5000 Ω	$\pm 3\%$
			2 V	10 000 Ω	
			5 V	25 000 Ω	
			10 V	50 000 Ω	
			15 V	75 000 Ω	
IUSN 2d	h 061 h ₁ = 60.5 mm h ₂ = 10.5 mm	100 ÷ 1250 A	1 V	5000 Ω	$\pm 3\%$
			2 V	10 000 Ω	
			5 V	25 000 Ω	
			10 V	50 000 Ω	
			15 V	75 000 Ω	