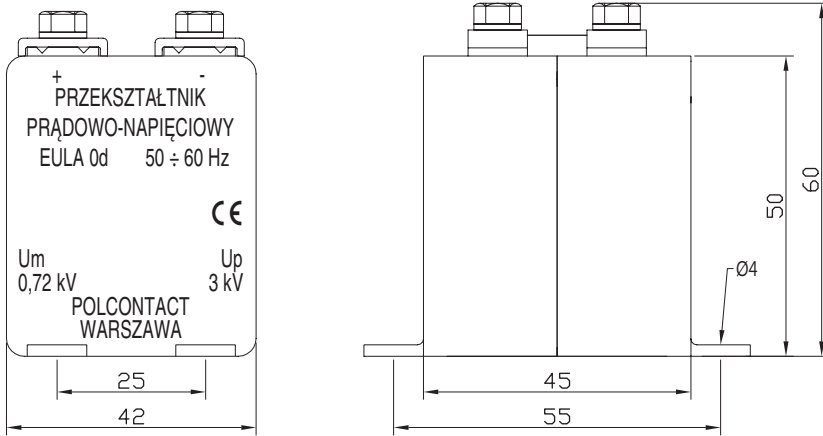


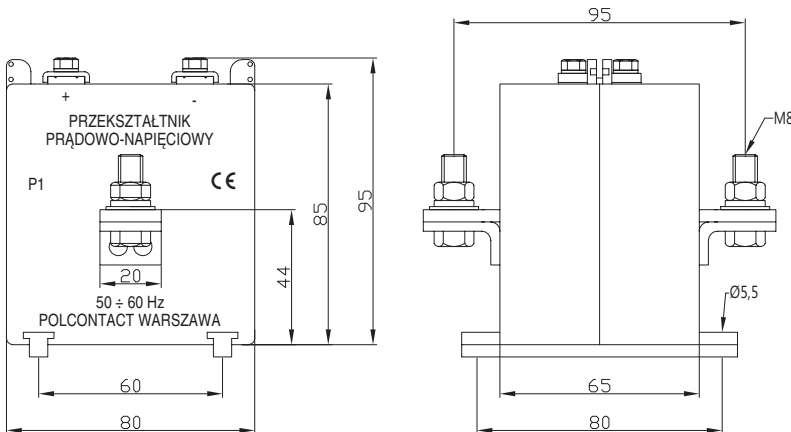
With primary winding

EULA 0d



Typ	Model/ Dimensions	Primary current	Rated parameters of secondary circuit		
			voltage	burden \geq	accuracy
EULA 0d	-	1 ÷ 20 A	1 V	5000 Ω	$\pm 3\%$
			2 V	10 000 Ω	
			5 V	25 000 Ω	
			10 V	50 000 Ω	
			15 V	75 000 Ω	

EULA 1d W20



Typ	Model/ Dimensions	Primary current	Rated parameters of secondary circuit		
			voltage	burden \geq	accuracy
EULA 1d	W20	5 ÷ 300 A	1 V	5000 Ω	$\pm 3\%$
			2 V	10 000 Ω	
			5 V	25 000 Ω	
			10 V	50 000 Ω	
			15 V	75 000 Ω	

Current-voltage converter with primary winding.

Example of order:
Current-voltage converter
EULA 1d W20;
100 A; 5 V; 25 k Ω

Bus TS 35 available on request.