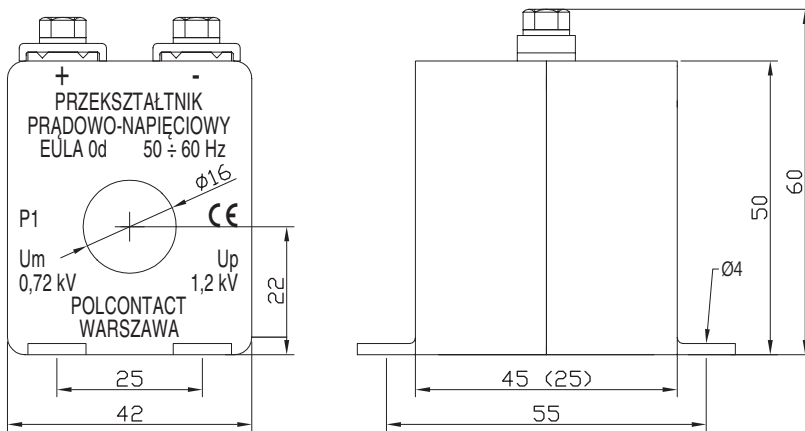
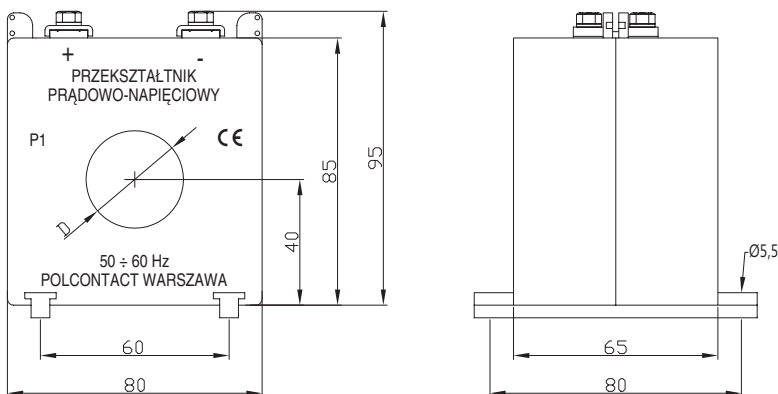


## Cable type



## EULA 0d D 16

Type	Model/ Dimensions	Primary current	Rated parameters of secondary circuit		
			voltage	burden $\geq$	accuracy
EULA 0d	D 16	50 ÷ 150 A	1 V	5000 $\Omega$	$\pm 3\%$
			2 V	10 000 $\Omega$	
			5 V	25 000 $\Omega$	
			10 V	50 000 $\Omega$	
			15 V	75 000 $\Omega$	



## EULA 1d

Type	Model/ Dimensions	Primary current	Rated parameters of secondary circuit		
			voltage	burden $\geq$	accuracy
EULA 1d	D 22	75 ÷ 400 A	1 V	5000 $\Omega$	$\pm 3\%$
			2 V	10 000 $\Omega$	
			5 V	25 000 $\Omega$	
			10 V	50 000 $\Omega$	
			15 V	75 000 $\Omega$	
EULA 1d	D 31	50 ÷ 600 A	1 V	5000 $\Omega$	$\pm 3\%$
			2 V	10 000 $\Omega$	
			5 V	25 000 $\Omega$	
			10 V	50 000 $\Omega$	
			15 V	75 000 $\Omega$	

Current-voltage converter cable type.

Example of order:  
Current-voltage converter  
EULA 1d D 31;  
300 A; 10 V; 50 k $\Omega$

Bus TS 35 available on request.